

Flame/Dust Ignition Proof Slim LED Signal Tower Light with Built-in Buzzer

QST50B-Ex



QST50B-Ex Flame/Dust Ignition Proof Slim LED Signal Tower Light with Built-in Buzzer

Model number	Layer	Voltage	Certificates	Weight	Color
QST50B-Ex	1	DC24V		1.30kg	● R-Red
		AC110V-230V			● R-Red
	2	DC24V			● R-Red
		AC110V-230V			● G-Green
	3	DC24V			● R-Red
		AC110V-230V			● A-Amber
	4	DC24V			● G-Green
		AC110V-230V			● B-Blue
	5	DC24V			● R-Red
		AC110V-230V			● A-Amber
			● G-Green		
			● B-Blue		
			○ W-White		

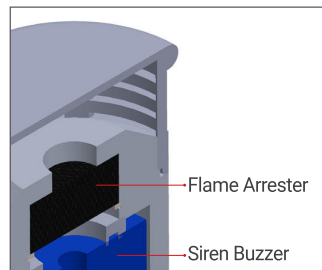


QST50B-Ex

Light source/buzzer current(based on 1 layer)

Voltage	DC24V	AC110V-230V
Light source current(1 layer)	75mA	Max.55mA
Buzzer current	50mA	Max.40mA

Explosion proof structure for buzzer model



· FLAME ARRESTER

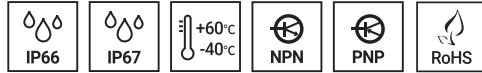
A flame arrester(also called a deflagration arrester) functions by absorbing the heat from a flame front traveling at sub-sonic velocities, thus dropping the burning gas/air mixture below its auto-ignition temperature: consequently, the flame cannot survive. The heat is absorbed through channels (passages) designed into an element.

Ordering Specification

QST50B-Ex	-	5	-	24	-	RAGBW	-	IECEX
[Model number]		[Layer]		[Voltage]		[Color]		[Certificates]
QST50B-Ex		1-1Layer 2-2Layers 3-3Layers 4-4Layers 5-5Layers		24-DC24V 110/230-AC110V-230V		● R-Red ● A-Amber ● G-Green ● B-Blue ○ W-White		IECEX ATEX KCs CCC(NEPSI)

Flame/Dust Ignition Proof Slim LED Signal Tower Light with Terminal Block

QST50T-Ex



QST50T-Ex

PRODUCT SPECIFICATION

QST50T-Ex | QST50BT-Ex

Materials

Lens-PC, Light diffusion Lens-PC, Housing-Al, Cover-Al

Ambient operating temperature $-40^{\circ}\text{C} \leq T_{\text{amb}} \leq +60^{\circ}\text{C}$

Sound volume Max.90dB at 1m(Built-in buzzer type)

Explosion protection rating

IECEX - Ex db IIC T6 Gb

Ex tb IIIC T85°C Db

ATEX - II2G Ex db IIC T6 Gb

II2D Ex tb IIC T85°C Db

KCs - Ex db IIC T6 Gb, IP66/IP67

Certificates IECEX, ATEX, KCs, NEPSI, CCC

Sound volume Max.90dB at 1m

Housing standard color Silver

Cable entry M20xP1.5, 1/2"NPT

Flashing rate 60-80 flashes/min

- Ex db IIC T6 Gb rated flame/dust ignition proof LED tower light for use in explosive gas areas
- Excellent long-distance visibility by applying a special light diffusion tube that condenses LED light
- Features superior durability with aluminum housing
- Semi-permanent service life with long-lasting LED light source
- Terminal block located inside the housing for easy power wiring

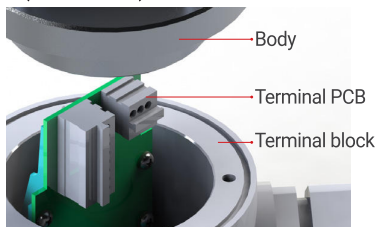
QST50T-Ex Flame/Dust Ignition Proof Slim LED Signal Tower Light with Terminal Block

Model number	Layer	Voltage	Certificates	Weight	Color
QST50T-Ex	1	DC24V		1.77Kg	R-Red
		AC110V-230V			
	2	DC24V			R-Red
		AC110V-230V			G-Green
	3	DC24V			R-Red
		AC110V-230V			A-Amber G-Green
	4	DC24V			R-Red
		AC110V-230V			A-Amber G-Green B-Blue
	5	DC24V			R-Red
		AC110V-230V			A-Amber G-Green B-Blue W-White

Light source current(based on 1 layer)

Voltage	DC24V	AC110V-230V
Light source current(1 layer)	75mA	Max.55mA

Terminal Box Wiring Instructions (QST50T-Ex)



Ordering Specification

QST50T-Ex	-	5	-	24	-	RAGBW	-	IECEX
[Model number]		[Layer]		[Voltage]		[Color]		[Certificates]
QST50T-Ex		1-1Layer 2-2Layers 3-3Layers 4-4Layers 5-5Layers		24-DC24V 110/230-AC110V-230V		R-Red A-Amber G-Green B-Blue W-White		IECEX ATEX KCs CCC(NEPSI)

Flame/Dust Ignition Proof Slim LED Signal Tower Light with Built-in Buzzer and Terminal Block

QST50BT-Ex



QST50BT-Ex Flame/Dust Ignition Proof Slim LED Tower Light with Built-in Buzzer & Terminal Block

Model number	Layer	Voltage	Certificates	Weight	Color
QST50BT-Ex	1	DC24V		1.93Kg	R-Red
		AC110V-230V			R-Red
	2	DC24V			R-Red
		AC110V-230V			G-Green
	3	DC24V			R-Red
		AC110V-230V			A-Amber
	4	DC24V			G-Green
		AC110V-230V			B-Blue
	5	DC24V			R-Red
		AC110V-230V			A-Amber
					G-Green
					B-Blue
					W-White

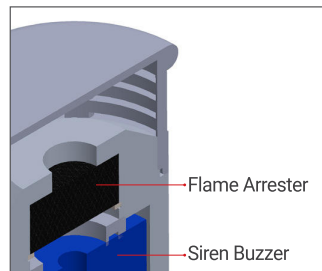


QST50BT-Ex

Light source/buzzer current(based on 1 layer)

Voltage	DC24V	AC110V-230V
Light source current(1 layer)	75mA	Max.55mA
Buzzer current	50mA	Max.40mA

Explosion proof structure for buzzer model



· FLAME ARRESTER

A flame arrester(also called a deflagration arrester) functions by absorbing the heat from a flame front traveling at sub-sonic velocities, thus dropping the burning gas/air mixture below its auto-ignition temperature: consequently, the flame cannot survive. The heat is absorbed through channels (passages) designed into an element.

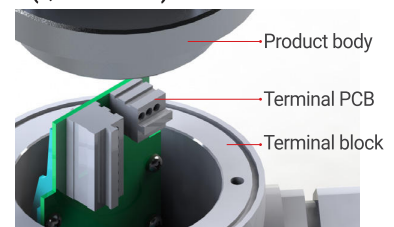
Customization

- Explosion proof cable gland attached type available(Standard type does not come with explosion proof cable gland)
- Cable entry size 3/4"NPT
- Explosion Proof Certification cable gland

Ordering Specification

QST50BT-Ex	5	24	RAGBW	IECEx
[Model number]	[Layer]	[Voltage]	[Color]	[Certificates]
QST50BT-Ex	1-1Layer 2-2Layers 3-3Layers 4-4Layers 5-5Layers	24-DC24V 110/230-AC110V-230V	R-Red A-Amber G-Green B-Blue W-White	IECEx ATEX KCs CCC(NEPSI)

Terminal Box Wiring Instructions (QST50BT-Ex)



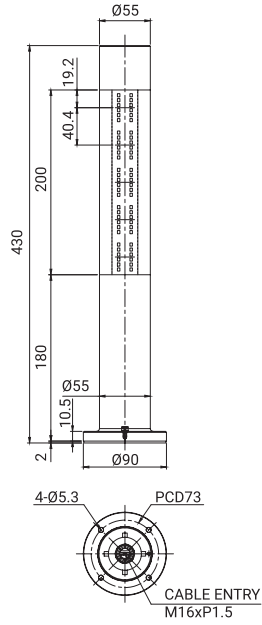
Flame/Dust Ignition Proof Slim LED Signal Tower Light

QST50-Ex Series

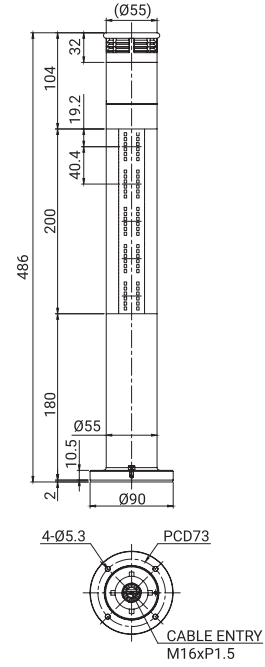
Technical Diagram

Units: mm

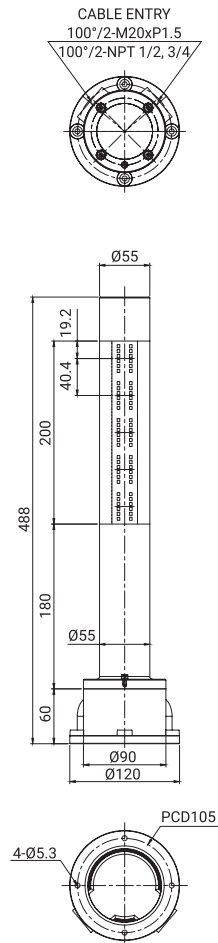
·QST50-Ex-5-DC/AC



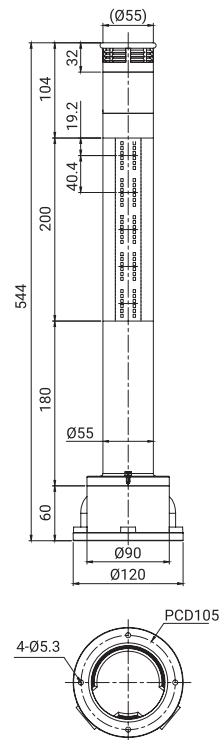
·QST50B-Ex-5-DC/AC



·QST50T-Ex-5-DC/AC



·QST50BT-Ex-5-DC/AC



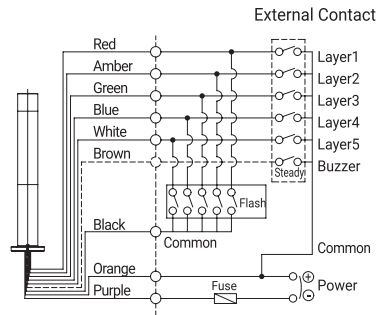
Wiring Instructions

- QST50-Ex Series can be wired with either External Contact or transistor.
- In case of wiring by transistor, please make sure if it is NPN type or PNP type. Please follow wiring instructions below.

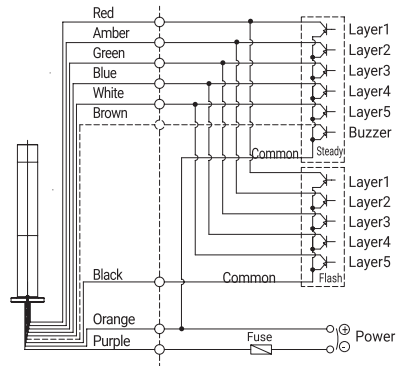
External Contact

Transistor

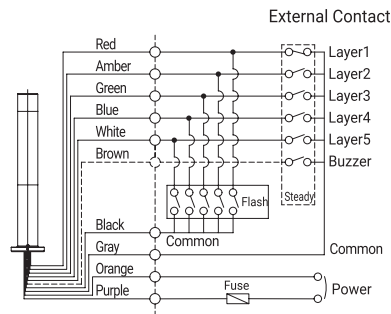
DC
Steady/Flashing



External transistor-PNP



AC
Steady/Flashing



External transistor-PNP

