

SEA-TI Series



SEA-LR-TI



SEA-L-TI

PRODUCT SPECIFICATION

SEALR-TI | SEAL-TI
SEAS-TI | SEA-TI

Materials Lens-Tempered glass, Filter-PC, Housing-Al, Protection cage-ST316L, Reflector-PC, Reflector-Heat resistant ABS

Ambient operating temperature
-40°C ≤ Tamb ≤ +60°C

Protection rating
IECEX - Ex db IIC T6 Gb, IP66
ATEX - Ex II 2G Ex db IIC T6 Gb, IP66

Certificates IECEX, ATEX

Housing standard color MUNSELL No. 7.5BG 7/2

Cable entry 1/2" NPT

- Large explosion proof Signal Beacons with excellent visibility for long distance
- Telephone Initiated Signal beacon triggers bright lighting that is activated by 25Hz Telephone Ring Signal
- Telephone line(2 LINE) is connected to PSTN telephone line
- A variety of light source selections from bulb, LED, and xenon lamp
- Aluminum housing provides excellent durability
- Fully enclosed structure with protection rating of IP66
- Integrated housing and terminal box model
- Rated power when telephone lines are not in use: 45VDC - 55VDC
- Rated power when telephone rings : 95VDC - 130VDC

SEA-LR-TI LED Revolving Signal Beacon

Model number	Voltage	Current	Certificates	Weight	Color
SEA-LR-TI	DC24V	75mA	IECEX	5.33kg	R-Red
	AC120V	75mA		5.74kg	A-Amber G-Green
	AC230V	30mA	ATEX	5.74kg	B-Blue

- Excellent omni-directional visibility with LED light collecting system and special multifaceted reflector
- Revolving speed: 120-140RPM

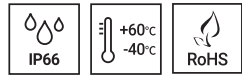
SEA-L-TI LED Steady/Flashing Signal Beacon

Model number	Voltage	Current	Certificates	Weight	Color
SEA-L-TI	DC24V	110mA	IECEX	4.87kg	R-Red
	AC120V	125mA		5.25kg	A-Amber G-Green
	AC230V	50mA	ATEX	5.25kg	B-Blue

- Long-lasting high intensity LED light source, Suitable for applications where bulb replacement is hard
- Built-in steady/flashing selection switch
- Flashing rate: 60-80 flashes/min

Customization

- Explosion proof cable gland attached type available (Standard type does not come with explosion proof cable gland)
- 2 ways cable entries
- Customized cable entry (3/4" NPT, M20×1.5, M25×1.5) available



SEAS-TI Xenon Strobe Signal Beacon

Model number	Voltage	Current	Xenon lamp		Certificates	Weight	Color
			Spec	Standard Parts no			
SEAS-TI	DC24V	490mA	200V -550V	EUB0641 -1A(G)	IECEX ATEX	5.39kg	● R-Red
	AC120V	115mA		48		5.35kg	● A-Amber
	AC230V	110mA		U type		5.35kg	● G-Green ● B-Blue

- Lamp connector fastening structure allows for convenient lamp replacement
- Excellent long-distance visibility with strong strobe signal diffusion
- Flashing rate: 60-80 flashes/min



SEAS-TI

SEA-TI Bulb Revolving Signal Beacon

Model number	Voltage	Current	Bulb			Certificates	Weight	Color
			Spec	Standard	Parts no			
SEA-TI	DC24V	1.05A	24V15W	G23 15S	18	IECEX ATEX	5.36kg	● R-Red
	AC120V	190mA	12V15W	G23 15S	17		5.75kg	● A-Amber
	AC230V	90mA	12V15W	G23 15S	17		5.75kg	● G-Green ● B-Blue

- Excellent diffusion effect with special multifaceted reflector
- Revolving speed: 120-140RPM

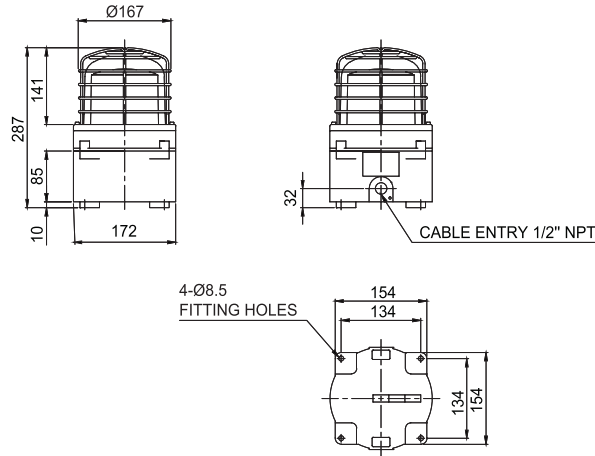


SEA-TI

Technical Diagram

Units: mm

· SEALR-TI / SEAL-TI / SEAS-TI / SEA-TI



Ordering Specification

SEA	-	230	-	R	-	TI
[Model number]		[Voltage]		[Color]		[Telephone Initiated]
SEALR		24-DC24V		● R-Red		TI-Telephone Initiated
SEAL		120-AC120V		● A-Amber		
SEAS		230-AC230V		● G-Green		
SEA				● B-Blue		