

# Wall Mount Electronic Sounder with Pre-Recorded Special Warning Sound(Telephone Initiated)

## QWH-TI Series

Wall mount electronic sounder that offers 31 pre-recorded warning sounds



· Binary input offers 31 sound

### PRODUCT SPECIFICATION

QWH35-TI | QWH50-TI

**Materials** Horn-PC+ABS, Housing-PC+ABS

**Ambient operating temperature**

-30°C to +50°C (Standard type)

-50°C to +50°C (Low temperature type only DC)

**Cable entry** PG 13.5

**Protection rating** IP66

**Compliant with RoHS directive**

- Signal fit for the specific environment and condition.
- Telephone Initiated alarm horn sounder triggers built-in alarm sound that is activated by 25Hz telephone ring signal
- Highly noticeable telephone alarm in noisy environment
- Telephone line(2 LINE) is connected to PSTN telephone line
- Easy device customization with built in sound selection function, volume adjustment function and an SD Card slot for user inputted tones.
- 31 available tones that can be selected for a variety of environments
- 31 pre-recorded tones available via binary input
- Suitable for use in environments that require a tight seal and superior dust protection rated IP66
- Easy wiring though external terminal box
- Rated power when telephone lines are not in use: 45VDC - 55VDC
- Rated power when telephone rings : 95VDC - 130VDC

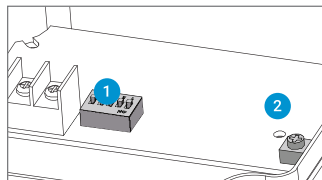
### Sound Selection and Volume

#### Adjustment Instructions

QWH Series has control switches inside the unit for sound selection and volume adjustment.

QWH-TI Series Product Category	
QWH35-TI	Standard pre-recorded sound type
QWH50-TI	Standard pre-recorded sound type, high volume output

### Built-in sound type



- 1 Sound channel selection switch
- 2 Volume dial

### The input method of built-in sound type

ON OFF	1	2	3	4	5
No.	1	2	3	4	5
0	0	0	0	0	0
1	0	0	0	0	1
2	0	0	0	1	0
:	:	:	:	:	:
31	1	1	1	1	1

Select from 31 pre-recorded output sound options by using a combination of the 5 channel input switches. Selecting one sound by combining 5 switches is binary input method. The binary input method allows you to express each of the 31 alarm sound signals with a "0" or "1" by switching the 5 channels on and off as shown in the table.

### QWH35-TI Wall Mount Electronic Sounder with Pre-Recorded Special Warning Sound

Model number	Voltage	Current	Sound pattern and volume	Certificates	Weight
QWH35-TI Terminal box equipped type	DC12V-24V	Max. 1.15A	·Binary Input: 31Ch ·Warning sounds: Max.115dB (Based on Ch31)	-	1.10kg
Built-in sound type	AC110V-220V	Max. 300mA			

### QWH50-TI Wall Mount Electronic Sounder with Pre-Recorded Special Warning Sound

Model number	Voltage	Current	Sound pattern and volume	Certificates	Weight
QWH50-TI Terminal box equipped type	DC12V-24V	Max. 3.6A	·Binary Input: 31Ch ·Warning sounds: Max.123dB (Based on Ch16)	-	3.00kg
Built-in sound type	AC110V-220V	Max. 730mA			

※ DC type model has a free-voltage range of 10V-30V.

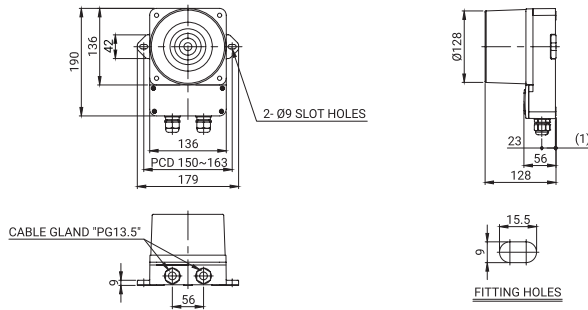
※ AC type model has a free-voltage range of 100V-240V.



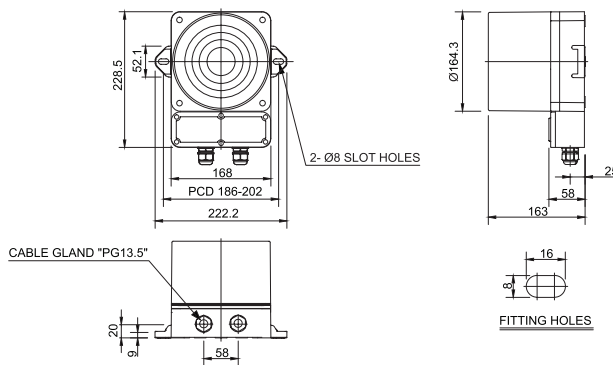
## Technical Diagram

Units: mm

### ·QWH35-TI



### ·QWH50-TI



Easy wiring with 2 cable entries terminal box type



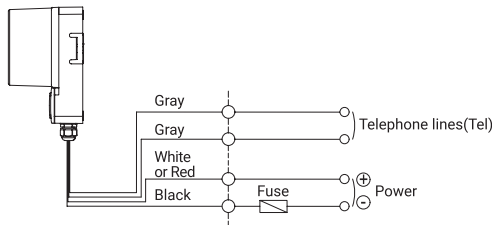
**QWH35-TI**  
(Max.115dB)



**QWH50-TI**  
(Max.123dB)

## Sound Selection Instructions and Wiring

### ·QWH35-TI / QWH50-TI - DC/AC



- Please wire the unit in accordance with a wiring diagram below as power line and telephone line are wired externally.
- External power line - UL1015 AWG18(0.75sq) x 2C 400mm
- External telephone lines - UL1007 AWG22(0.3sq) 400mm
- Binary input 31 sound tones output
- ※ Please refer to [Sound pattern and combination for multifunctional product] on this catalogue for channel input setting(Wiring instruction is replaced to channel selection switch)

## Ordering Specification

<b>QWH35</b>	-	<b>110/220</b>	-	<b>TI</b>
[Model number]		[Voltage]		[Telephone Initiated]
QWH35 QWH50		12/24-DC12V-24V 110/220-AC110V-220V		TI-Telephone Initiated

## Customization

- Cold-resistance type(DC type only)