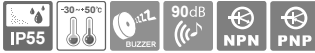


MWTL

Wall Mount Semicircular LED Signal Towers



MWTL

MWTL Wall Mount, LED Steady/Flashing

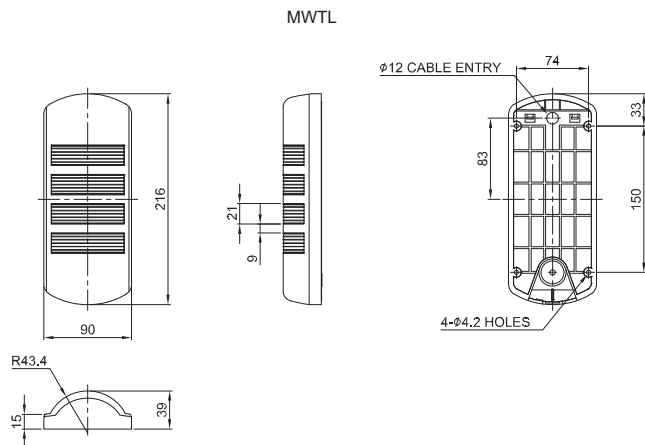
- Wall mount model that minimizes the chance of damage from moving obstacles or personnel
- LED light distribution structure that directly radiates light to the user provides excellent visibility
- Can be used outdoors with tightly sealed structure
- Standard color arrangements :
4 Colors : ● Red-R ● Amber-A ● Green-G ● Blue-B
- Flashing rate : 60-80 flashes/min
- Built-in buzzer available (Volume : Max 90dB at 1m)
- Materials : Lens-PC, Cover-ABS, Housing-ABS
- Ambient operating temperature : -30°C to +50°C
- Protection rating : IP55
- Certificates : CE Compliant

Specifications

Model number	Layer	Voltage	Current	Certificates	Weight	Color
MWTL Steady MWTL-BZ Steady /w built-in buzzer	4	DC24V	0.023A	CE DC24V only	0.29kg	● R-Red ● A-Amber ● G-Green ● B-Blue
MWTLF Steady/Flashing MWTLF-BZ Steady/Flashing /w built-in buzzer			0.052A			

Technical Diagram

(Units : mm)



Customization

- 2 buzzer sound types : Both prolonged (beep, beep) and staccato (beep, beep, beep) buzzer output available

Ordering Specification

MWTL	-	4	-	24	-	RAGB
[Model number]		[Layer]		[Voltage]		[Color]
• MWTL • MWTLF • MWTL-BZ • MWTLF-BZ		• 4-4Layers		• 24-DC24V		● R-Red ● A-Amber ● G-Green ● B-Blue

