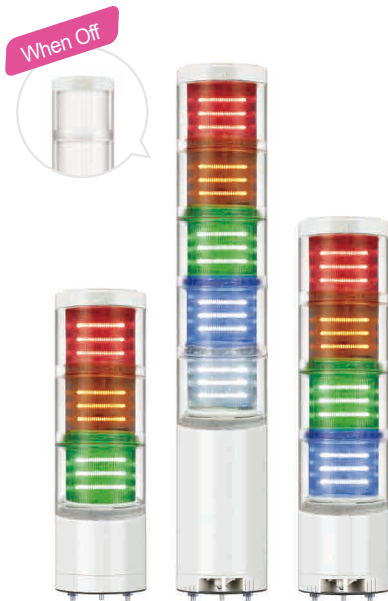
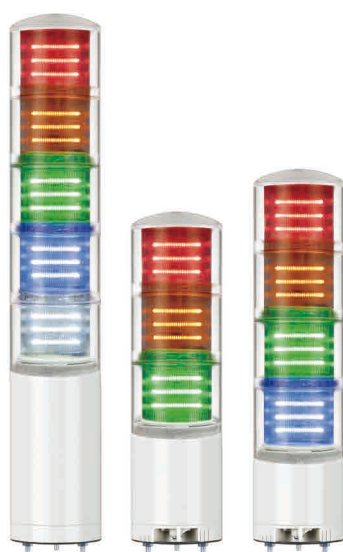


QTC70ML

Ø70mm LED Steady/Flashing Tower Lights



QTC70ML series



QTC70ML series

• Customization



• Customized cable end M12 connector attached type available.

QTC70ML Ø70mm Direct Mount, LED Steady/Flashing Type

Model number	Layer	Voltage	Current	Certificates	Weight	Color	
QTC70ML Steady	1	AC/DC12V	0.100A	 DC24V only	0.44kg	● R-Red	
QTC70ML-BZ Steady /w built-in buzzer		AC/DC24V	0.070A		0.44kg		
QTC70MLF Steady/Flashing	2	AC/DC12V	0.200A		0.58kg	● R-Red ● G-Green	
QTC70MLF-BZ Steady /w built-in buzzer/Flashing		AC/DC24V	0.140A		0.68kg		
QTCA70ML Steady	3	AC/DC12V	0.300A		 DC24V only	0.79kg	● R-Red ● A-Amber ● G-Green
QTCA70ML-BZ Steady /w built-in buzzer		AC/DC24V	0.210A			0.89kg	
QTCA70MLF Steady/Flashing	4	AC/DC12V	0.400A			0.94kg	● R-Red ● A-Amber ● G-Green ● B-Blue
QTCA70MLF-BZ Steady /w built-in buzzer/Flashing		AC/DC24V	0.280A			1.04kg	
QTC70ML Steady	5	AC/DC12V	0.500A			1.09kg	● R-Red ● A-Amber ● G-Green ● B-Blue ● W-White
QTC70ML-BZ Steady /w built-in buzzer		AC/DC24V	0.350A			1.19kg	
QTC70MLF Steady/Flashing		AC110V-220V	Max. 0.055A				
QTC70MLF-BZ Steady /w built-in buzzer/Flashing		AC110V-220V	Max. 0.075A				
QTCA70ML Steady		AC110V-220V	Max. 0.095A				
QTCA70ML-BZ Steady /w built-in buzzer		AC110V-220V	Max. 0.115A				
QTCA70MLF Steady/Flashing		AC110V-220V	Max. 0.135A				
QTCA70MLF-BZ Steady /w built-in buzzer/Flashing		AC110V-220V	Max. 0.135A				

※ AC type model has a free-voltage range of 100V-240V.

Signal/ Audible Line Current(per each layer)

Voltage	AC/DC12V	AC/DC24V	AC110V-220V
Signal line current	0.100A	0.070A	Max 0.055A
Audible line current	0.020A	0.050A	Max 0.045A

Wiring Instructions

- External power line : UL1015 AWG18(0.75sq)×2C 400mm
 - External signal line : UL1007 AWG22(0.3sq) 400mm
 - LED tower light can be wiring with external contact and transistor
- ※ Please refer to page 88-89 for detailed wiring instructions.

Customization

- High buzzer module equipped on top(Lens should be within 4 layers)
- Cable end M12 connector attached type
- 2 buzzer sound types : Both prolonged (beep, beep) and staccato (beep, beep, beep) buzzer output available
- Wall mount bracket options : Bracket structure allows for threading through the bracket hole or into the wall mount

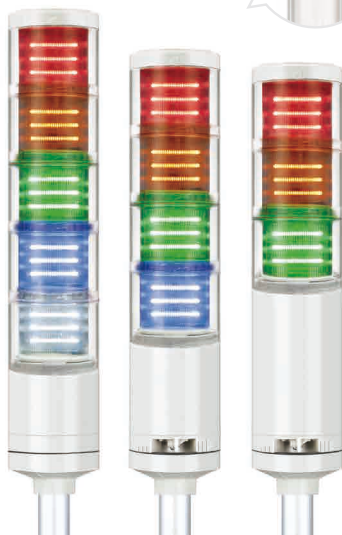


Ordering Specification

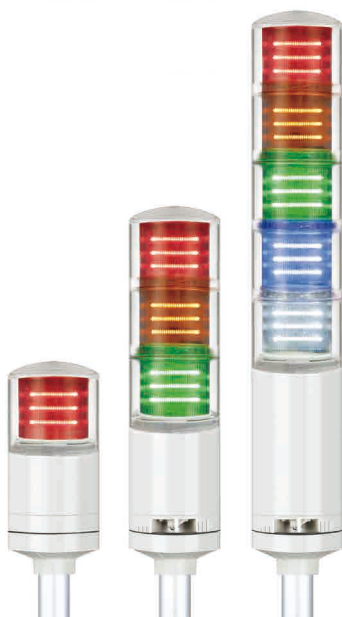
QTC70ML	-	3	-	12	-	RAG
[Model number]		[Layer]		[Voltage]		[Color]
<ul style="list-style-type: none"> • QTC70ML • QTC70ML-BZ • QTC70MLF • QTC70MLF-BZ • QTCA70ML • QTCA70ML-BZ • QTCA70MLF • QTCA70MLF-BZ 		<ul style="list-style-type: none"> • 1-1Layer • 2-2Layers • 3-3Layers • 4-4Layers • 5-5Layers 		<ul style="list-style-type: none"> • 12-DC12V • 24-DC24V • 110/220 • -AC110V-220V 		<ul style="list-style-type: none"> ● R-Red ● A-Amber ● G-Green ● B-Blue ● W-White

QTC70L

Ø70mm LED Steady/Flashing Tower Lights



QTC70L series



QTCA70L series

• Customization



• Customized cable end M12 connector attached type available.

QTC70L Ø70mm Pole Mount, LED Steady/Flashing Type

Model number	Layer	Voltage	Current	Certificates	Weight	Color
QTC70L Steady	1	AC/DC12V	0.100A	 DC24V only	0.56kg	• R-Red
QTC70L-BZ Steady /w built-in buzzer		AC/DC24V	0.070A		0.66kg	
QTC70LF Steady/Flashing	2	AC/DC12V	0.200A		0.68kg	• R-Red • G-Green
QTC70LF-BZ Steady/Flashing /w built-in buzzer		AC/DC24V	0.140A		0.78kg	
QTCA70L Steady	3	AC/DC12V	0.300A		0.83kg	• R-Red • A-Amber • G-Green
QTCA70L-BZ Steady /w built-in buzzer		AC/DC24V	0.210A	0.92kg		
QTCA70LF Steady/Flashing	4	AC/DC12V	0.400A	0.98kg	• R-Red • A-Amber • G-Green • B-Blue	
QTCA70LF-BZ Steady/Flashing /w built-in buzzer		AC/DC24V	0.280A	1.08kg		
QTC70L	5	AC/DC12V	0.500A	1.22kg	• R-Red • A-Amber • G-Green • B-Blue • W-White	
QTC70L-BZ		AC/DC24V	0.350A	1.31kg		

* AC type model has a free-voltage range of 100V-240V.

Wiring Instructions

- External power line : UL1015 AWG18(0.75sq)×2C 400mm
- External signal line : UL1007 AWG22(0.3sq) 400mm
- LED tower light can be wiring with external contact and transistor

* Please refer to page 88-89 for detailed wiring instructions.

Mounting Bracket

Standard	LB24	LW24	QZ24	SZ24	QL24	SL24	QLA24
Steel	Steel	PC	PC	Al	PC	Al	PC

* Please refer to page 188-193 for detailed dimensions.

Customization

- 2 buzzer sound types : Both prolonged (beep, beep) and staccato (beep, beep, beep) buzzer output available
- Customized pole length available
- High buzzer module equipped on top(Lens should be within 4 layers)
- Cable end M12 connector attached type

Ordering Specification

QTC70L	-	3	-	110/220	-	RAG	-	LW24
[Model number]		[Layer]		[Voltage]		[Color]		[Mounting bracket]
<ul style="list-style-type: none"> • QTC70L • QTC70L-BZ • QTC70LF • QTC70LF-BZ • QTCA70L • QTCA70L-BZ • QTCA70LF • QTCA70LF-BZ 		<ul style="list-style-type: none"> • 1-1Layer • 2-2Layers • 3-3Layers • 4-4Layers • 5-5Layers 		<ul style="list-style-type: none"> • 12-DC12V • 24-DC24V • 110/220 -AC110V-220V 		<ul style="list-style-type: none"> • R-Red • A-Amber • G-Green • B-Blue • W-White 		<ul style="list-style-type: none"> • None -Standard • Bracket -LB24 -LW24 -QZ24 -SZ24 -QL24 -SL24 -QLA24

QTC series

LED Steady/Flashing Tower Lights



Technical Diagram

(Units : mm)

QTC50ML : DC
QTC50MLF : DC
QTC50ML-BZ : DC

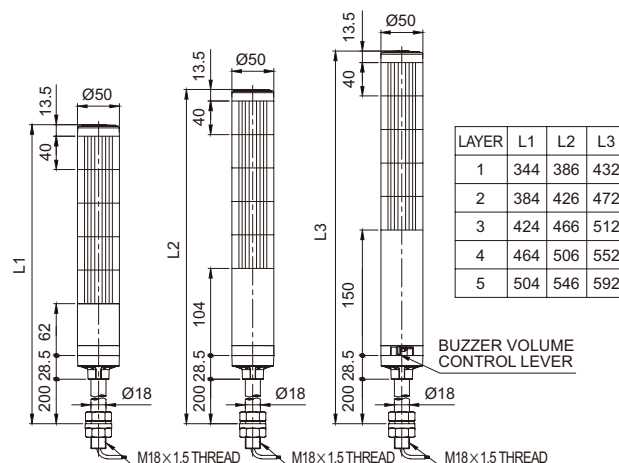
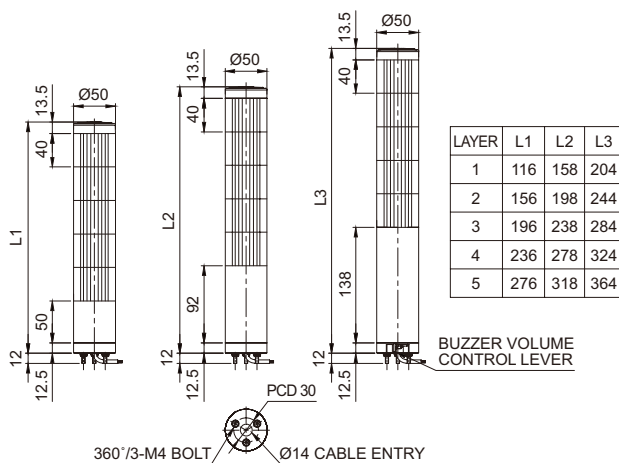
QTC50ML : AC
QTC50MLF-BZ : DC

QTC50MLF : AC
QTC50ML-BZ : AC
QTC50MLF-BZ : AC

QTC50L : DC
QTC50LF : DC
QTC50L-BZ : DC

QTC50L : AC
QTC50LF-BZ : DC

QTC50LF : AC
QTC50L-BZ : AC
QTC50LF-BZ : AC



QTC60ML : DC
QTC60MLF : DC
QTC60ML-BZ : DC

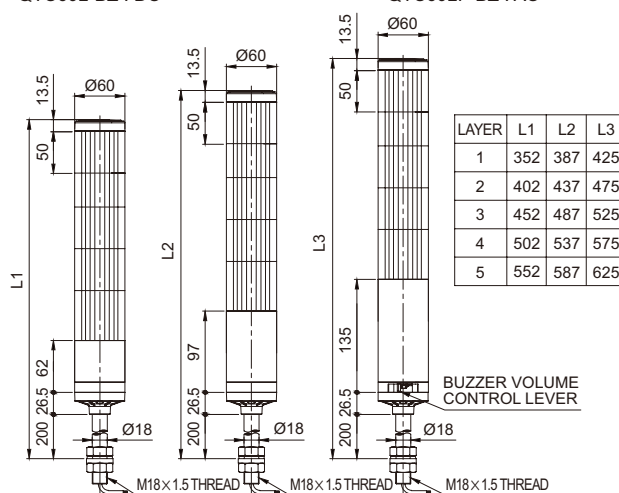
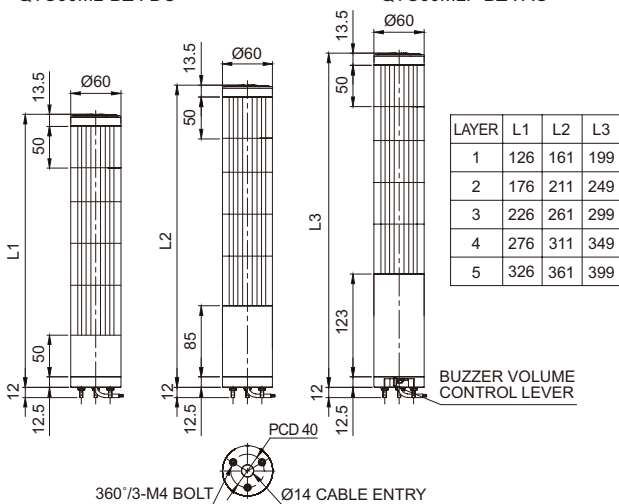
QTC60ML : AC
QTC60MLF-BZ : DC

QTC60MLF : AC
QTC60ML-BZ : AC
QTC60MLF-BZ : AC

QTC60L : DC
QTC60LF : DC
QTC60L-BZ : DC

QTC60L : AC
QTC60LF-BZ : DC

QTC60LF : AC
QTC60L-BZ : AC
QTC60LF-BZ : AC



QTC70ML : DC
QTC70MLF : DC
QTC70ML-BZ : DC

QTC70ML : AC
QTC70MLF : AC
QTC70ML-BZ : AC
QTC70MLF-BZ : DC

QTC70MLF-BZ : AC

QTC70L : DC
QTC70LF : DC
QTC70L-BZ : DC

QTC70L : AC
QTC70LF : AC
QTC70L-BZ : AC
QTC70LF-BZ : DC

QTC70LF-BZ : AC

