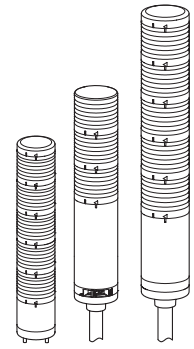


Modular LED Signal Tower Lights

QTG50/ QTG60/ QTG70



Thank you for purchasing Qlight's products. Please read this user manual carefully prior to installation and operation to ensure safe and correct use.

⚠ Precautions for Safety

Failure to follow the instructions below may cause a loss of life or serious physical injury.

1. During wiring or maintenance, please completely turn off the power of the product. (Failure to follow this may lead to an electric shock.)
2. Do not install the product in locations that subjects it to excessive dust or water other than the conditions designated by the IP protection ratings indicated for each product. (Failure to follow these instructions may cause a fire to the product, electric shock, physical injury, malfunction or damage to the product.)
3. Do not alter or repair this product. If maintenance or repair service is required, please contact your local Qlight contact point. (Failure to follow these instructions may lead to fire, electric shock, or product damage.)
4. Please apply the correct voltage to the product. (Failure to follow these instructions may lead to fire, electric shock, or product damage.)
5. When the product is applied to a condition that may impact lives or property, please make sure to have a double safety device. (Failure to follow this may cause damage to property, fire, electric shock and loss of life.)

⚠ Precautions for Correct Use

Failure to follow the proper instructions may cause damage to property, the product, or malfunction of the product that would void the warranty.

1. Please remove any objects that can interrupt ventilation around the product.
2. Please turn off the power of the product immediately if it fails to operate properly.
3. Carefully wire the product according to each product's specification.
4. Please be careful in preventing chemicals such as thinner, benzene, etc. in contact with the surface of the product.
5. Do not apply excessive force/impact to the product.
6. Failure to follow any of the instructions above may cause malfunction or damage to the product, fire, and electric shock.

Ordering Specifications

QTG50/ 60/ 70L	3	110/220	RAG	LW18
[Model number]	[Layer count]	[Voltage]	[Color]	[Mounting option]
• QTG50/ 60/ 70L	• 1 Layer	• 12-DC12V	R-Red	• (Blank)
• QTG50/ 60/ 70L-BZ	• 2 Layers	• 24-DC24V	A-Amber	- Standard type
• QTG50/ 60/ 70LF	• 3 Layers	• 110/220	G-Green	• Mounting type
• QTG50/ 60/ 70LF-BZ	• 4 Layers	-AC110V-220V	B-Blue	- LB18/24 - LW18/24
• QTGA50/ 60/ 70L	• 5 Layers		W-White	- QZ18/24 - SZ18/24
• QTGA50/ 60/ 70L-BZ				- QL18/24 - SL18/24
• QTGA50/ 60/ 70LF				- QLA18/24
• QTGA50/ 60/ 70LF-BZ				

QTG50/ 60/ 70ML	3	110/220	RAG
[Model number]	[Layer count]	[Voltage]	[Color]
• QTG50/ 60/ 70ML	• 1 Layer	• 12-DC12V	R-Red
• QTG50/ 60/ 70ML-BZ	• 2 Layers	• 24-DC24V	A-Amber
• QTG50/ 60/ 70MLF	• 3 Layers	• 110/220-AC110V-220V	G-Green
• QTG50/ 60/ 70MLF-BZ	• 4 Layers		B-Blue
• QTGA50/ 60/ 70ML	• 5 Layers		W-White
• QTGA50/ 60/ 70ML-BZ			
• QTGA50/ 60/ 70MLF			
• QTGA50/ 60/ 70MLF-BZ			





Please scan the QR code for more detailed product information.



www.qlight.com

Product Specifications



• QTG50L

Model number	Layer count	Voltage	Current	Certificate	Weight	Color
QTG50L Steady	1	AC/DC12V	0.085A	 	0.34kg	R-Red
QTG50L-BZ Steady w/ built-in buzzer		AC/DC24V	0.065A		0.34kg	
QTG50LF Steady/Flashing	2	AC/DC12V	0.170A		0.43kg	R-Red G-Green
QTG50LF-BZ Steady/Flashing w/ built-in buzzer		AC/DC24V	0.130A		0.43kg	
QTGA50L Steady	3	AC/DC12V	0.255A		0.51kg	R-Red A-Amber G-Green
QTGA50L-BZ Steady w/ built-in buzzer		AC/DC24V	0.195A	0.51kg		
QTGA50LF Steady/Flashing	4	AC/DC12V	0.340A	0.60kg	R-Red A-Amber G-Green B-Blue	
QTGA50LF-BZ Steady/Flashing w/ built-in buzzer		AC/DC24V	0.260A	0.60kg		
QTGA50LF Steady/Flashing	5	AC/DC12V	0.425A	0.68kg	R-Red A-Amber G-Green B-Blue W-White	
QTGA50LF-BZ Steady/Flashing w/ built-in buzzer		AC/DC24V	0.325A	0.68kg		



• QTG50ML

Model number	Layer count	Voltage	Current	Certificate	Weight	Color
QTG50ML Steady	1	AC/DC12V	0.085A	 	0.19kg	R-Red
QTG50ML-BZ Steady w/ built-in buzzer		AC/DC24V	0.065A		0.19kg	
QTG50MLF Steady/Flashing	2	AC/DC12V	0.170A		0.27kg	R-Red G-Green
QTG50MLF-BZ Steady/Flashing w/ built-in buzzer		AC/DC24V	0.130A		0.27kg	
QTGA50ML Steady	3	AC/DC12V	0.255A		0.36kg	R-Red A-Amber G-Green
QTGA50ML-BZ Steady w/ built-in buzzer		AC/DC24V	0.195A	0.36kg		
QTGA50MLF Steady/Flashing	4	AC/DC12V	0.340A	0.44kg	R-Red A-Amber G-Green B-Blue	
QTGA50MLF-BZ Steady/Flashing w/ built-in buzzer		AC/DC24V	0.260A	0.44kg		
QTGA50MLF Steady/Flashing	5	AC/DC12V	0.425A	0.53kg	R-Red A-Amber G-Green B-Blue W-White	
QTGA50MLF-BZ Steady/Flashing w/ built-in buzzer		AC/DC24V	0.325A	0.53kg		



• QTG60L

Model number	Layer count	Voltage	Current	Certificate	Weight	Color
QTG60L Steady	1	AC/DC12V	0.100A	 	0.41kg	R-Red
QTG60L-BZ Steady w/ built-in buzzer		AC/DC24V	0.070A		0.41kg	
QTG60LF Steady/Flashing	2	AC/DC12V	0.200A		0.50kg	R-Red G-Green
QTG60LF-BZ Steady/Flashing w/ built-in buzzer		AC/DC24V	0.140A		0.50kg	
QTGA60L Steady	3	AC/DC12V	0.300A		0.58kg	R-Red A-Amber G-Green
QTGA60L-BZ Steady w/ built-in buzzer		AC/DC24V	0.210A	0.58kg		
QTGA60LF Steady/Flashing	4	AC/DC12V	0.400A	0.67kg	R-Red A-Amber G-Green B-Blue	
QTGA60LF-BZ Steady/Flashing w/ built-in buzzer		AC/DC24V	0.280A	0.67kg		
QTGA60LF Steady/Flashing	5	AC/DC12V	0.500A	0.75kg	R-Red A-Amber G-Green B-Blue W-White	
QTGA60LF-BZ Steady/Flashing w/ built-in buzzer		AC/DC24V	0.350A	0.75kg		



• QTG60ML

Model number	Layer count	Voltage	Current	Certificate	Weight	Color
QTG60ML Steady	1	AC/DC12V	0.100A	 	0.26kg	R-Red
QTG60ML-BZ Steady w/ built-in buzzer		AC/DC24V	0.070A		0.26kg	
QTG60MLF Steady/Flashing	2	AC/DC12V	0.200A		0.34kg	R-Red G-Green
QTG60MLF-BZ Steady/Flashing w/ built-in buzzer		AC/DC24V	0.140A		0.34kg	
QTGA60ML Steady	3	AC/DC12V	0.300A		0.43kg	R-Red A-Amber G-Green
QTGA60ML-BZ Steady w/ built-in buzzer		AC/DC24V	0.210A	0.43kg		
QTGA60MLF Steady/Flashing	4	AC/DC12V	0.400A	0.51kg	R-Red A-Amber G-Green B-Blue	
QTGA60MLF-BZ Steady/Flashing w/ built-in buzzer		AC/DC24V	0.280A	0.51kg		
QTGA60MLF Steady/Flashing	5	AC/DC12V	0.500A	0.59kg	R-Red A-Amber G-Green B-Blue W-White	
QTGA60MLF-BZ Steady/Flashing w/ built-in buzzer		AC/DC24V	0.350A	0.59kg		

• QTG70L

Model number	Layer count	Voltage	Current	Certificate	Weight	Color
QTG70L Steady	1	AC/DC12V	0.100A	 	0.54kg	R-Red
QTG70L-BZ Steady w/ built-in buzzer		AC/DC24V	0.070A		0.54kg	
QTG70LF Steady/Flashing	2	AC/DC12V	0.200A		0.66kg	R-Red G-Green
QTG70LF-BZ Steady/Flashing w/ built-in buzzer		AC/DC24V	0.140A		0.66kg	
QTGA70L Steady	3	AC/DC12V	0.300A		0.81kg	R-Red A-Amber G-Green
QTGA70L-BZ Steady w/ built-in buzzer		AC/DC24V	0.210A	0.81kg		
QTGA70LF Steady/Flashing	4	AC/DC12V	0.400A	0.96kg	R-Red A-Amber G-Green B-Blue	
QTGA70LF-BZ Steady/Flashing w/ built-in buzzer		AC/DC24V	0.280A	0.96kg		
QTGA70LF Steady/Flashing	5	AC/DC12V	0.500A	1.20kg	R-Red A-Amber G-Green B-Blue W-White	
QTGA70LF-BZ Steady/Flashing w/ built-in buzzer		AC/DC24V	0.350A	1.20kg		

• QTG70ML

Model number	Layer count	Voltage	Current	Certificate	Weight	Color
QTG70ML Steady	1	AC/DC12V	0.100A	 	0.42kg	R-Red
QTG70ML-BZ Steady w/ built-in buzzer		AC/DC24V	0.070A		0.42kg	
QTG70MLF Steady/Flashing	2	AC/DC12V	0.200A		0.56kg	R-Red G-Green
QTG70MLF-BZ Steady/Flashing w/ built-in buzzer		AC/DC24V	0.140A		0.56kg	
QTGA70ML Steady	3	AC/DC12V	0.300A		0.77kg	R-Red A-Amber G-Green
QTGA70ML-BZ Steady w/ built-in buzzer		AC/DC24V	0.210A	0.77kg		
QTGA70MLF Steady/Flashing	4	AC/DC12V	0.400A	0.92kg	R-Red A-Amber G-Green B-Blue	
QTGA70MLF-BZ Steady/Flashing w/ built-in buzzer		AC/DC24V	0.280A	0.92kg		
QTGA70MLF Steady/Flashing	5	AC/DC12V	0.500A	1.07kg	R-Red A-Amber G-Green B-Blue W-White	
QTGA70MLF-BZ Steady/Flashing w/ built-in buzzer		AC/DC24V	0.350A	1.07kg		

* QTG series UL listed : DC24V

Dimensions

(Units : mm)

• QTG50(M)L

QTG50ML : DC
QTG50MLF : DC
QTG50ML-BZ : DC

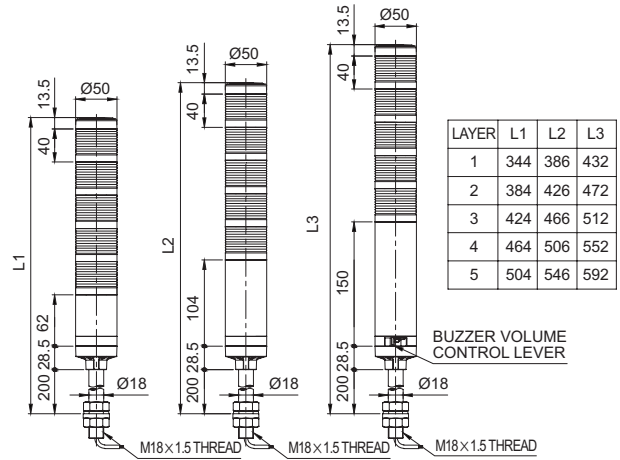
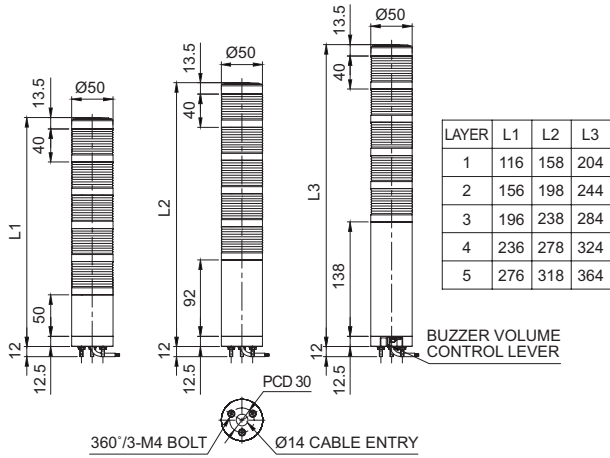
QTG50ML : AC
QTG50MLF-BZ : DC

QTG50MLF : AC
QTG50ML-BZ : AC
QTG50MLF-BZ : AC

QTG50L : DC
QTG50LF : DC
QTG50L-BZ : DC

QTG50L : AC
QTG50LF-BZ : DC

QTG50LF : AC
QTG50L-BZ : AC
QTG50LF-BZ : AC



• QTG60(M)L

QTG60ML : DC
QTG60MLF : DC
QTG60ML-BZ : DC

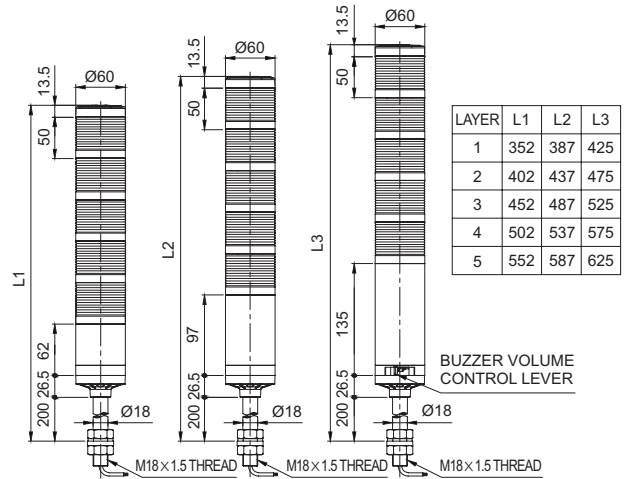
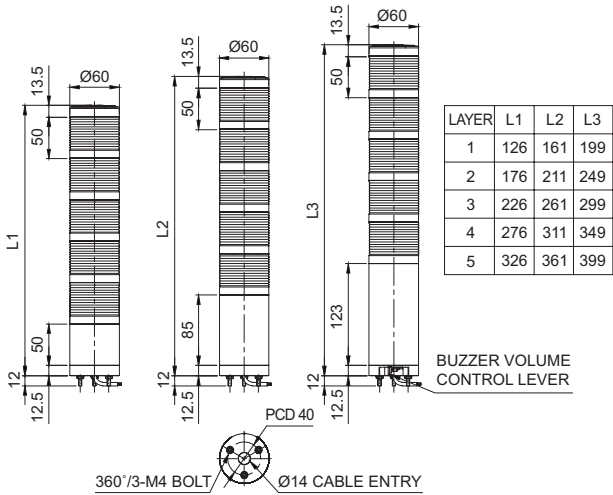
QTG60ML : AC
QTG60MLF-BZ : DC

QTG60MLF : AC
QTG60ML-BZ : AC
QTG60MLF-BZ : AC

QTG60L : DC
QTG60LF : DC
QTG60L-BZ : DC

QTG60L : AC
QTG60LF-BZ : DC

QTG60LF : AC
QTG60L-BZ : AC
QTG60LF-BZ : AC



• QTG70(M)L

QTG70ML : DC
QTG70MLF : DC
QTG70ML-BZ : DC

QTG70ML : AC
QTG70MLF : AC
QTG70ML-BZ : AC

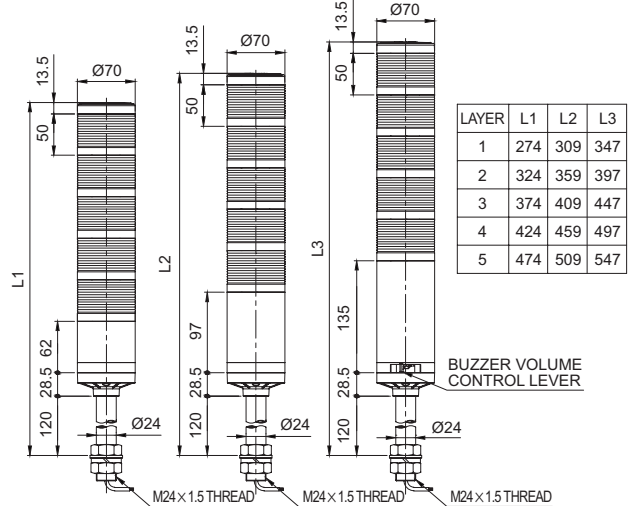
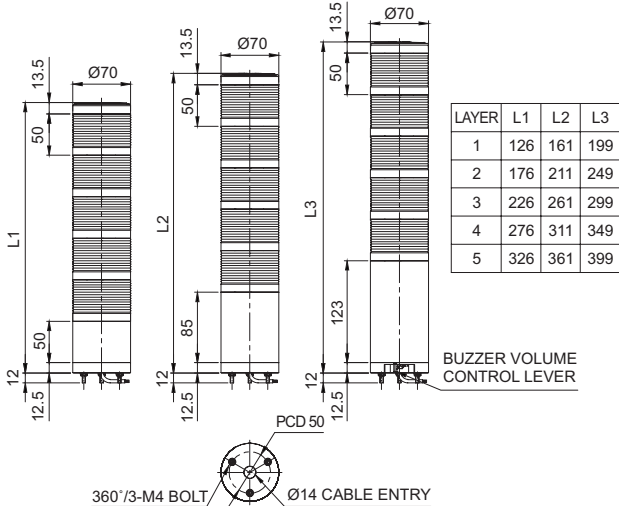
QTG70MLF-BZ : AC

QTG70L : DC
QTG70LF : DC
QTG70L-BZ : DC

QTG70L : AC
QTG70LF : AC
QTG70L-BZ : AC

QTG70LF-BZ : AC

QTG70LF-BZ : DC



Wiring Instructions

■ Wiring using external contact

- In case of wiring with external contacts, refer to the wiring diagrams below according to your product's type and voltage setting.

	Wiring diagrams		Wiring diagrams
DC Steady	<p> QTG50ML QTG50L QTG60ML QTG60L QTG70ML QTG70L </p> <ul style="list-style-type: none"> • QTG(A) □□ (M)L - Refer to this diagram for buzzer type product • QTG□□ L <ul style="list-style-type: none"> └ Lens diameter 50(50mm) : QTG50(M)L 60(60mm) : QTG60(M)L 70(70mm) : QTG70(M)L 	AC Steady	<p> QTG50ML QTG50L QTG60ML QTG60L QTG70ML QTG70L </p> <ul style="list-style-type: none"> • QTG(A) □□ (M)L - Refer to this diagram for buzzer type product • QTG□□ L <ul style="list-style-type: none"> └ Lens diameter 50(50mm) : QTG50(M)L 60(60mm) : QTG60(M)L 70(70mm) : QTG70(M)L
DC Steady/Flashing	<p> QTG50MLF QTG50LF QTG60MLF QTG60LF QTG70MLF QTG70LF </p> <ul style="list-style-type: none"> • QTG(A) □□ (M)LF - Refer to this diagram for buzzer type product • QTG□□ LF <ul style="list-style-type: none"> └ Lens diameter 50(50mm) : QTG50(M)LF 60(60mm) : QTG60(M)LF 70(70mm) : QTG70(M)LF 	AC Steady/Flashing	<p> QTG50MLF QTG50LF QTG60MLF QTG60LF QTG70MLF QTG70LF </p> <ul style="list-style-type: none"> • QTG(A) □□ (M)LF - Refer to this diagram for buzzer type product • QTG□□ LF <ul style="list-style-type: none"> └ Lens diameter 50(50mm) : QTG50(M)LF 60(60mm) : QTG60(M)LF 70(70mm) : QTG70(M)LF

- DC steady type cable specification: External power/ signal line - UL1007 AWG22(0.3sq) 400mm
- AC steady, AC/DC steady/flashing type cable specification : External power line - UL1015 AWG18(0.75sq) × 2C 400mm, External signal line - UL1007 AWG22(0.3sq) 400mm

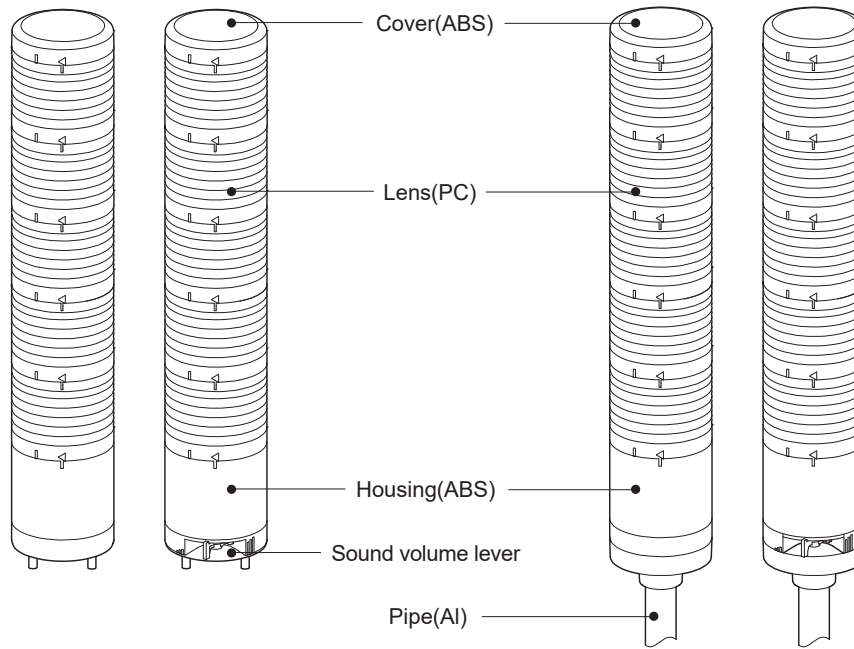
■ Wiring using transistor

- When using a transistor, please choose between the NPN or PNP type transistor which best matches the voltage and product type, then connect them correctly according to the wiring diagrams below.

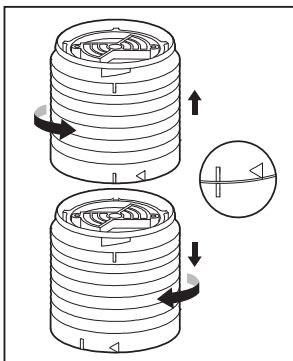
		Wiring diagrams	
DC Steady		<p>NPN-Transistor External Transistor</p>	<p>PNP-Transistor External Transistor</p>
	<p>QTG50ML QTG50L QTG60ML QTG60L QTG70ML QTG70L</p>	<ul style="list-style-type: none"> • QTG(A) □□(M)L - Refer to this diagram for buzzer type product • QTG □□ L <ul style="list-style-type: none"> └ Lens diameter 50(50mm) : QTG50(M)L 60(60mm) : QTG60(M)L 70(70mm) : QTG70(M)L 	
DC Steady/Flashing		<p>PNP-Transistor External Transistor</p>	<p>PNP-Transistor External Transistor</p>
	<p>QTG50MLF QTG50LF QTG60MLF QTG60LF QTG70MLF QTG70LF</p>	<ul style="list-style-type: none"> • QTG(A) □□(M)LF - Refer to this diagram for buzzer type product • QTG □□ LF <ul style="list-style-type: none"> └ Lens diameter 50(50mm) : QTG50(M)LF 60(60mm) : QTG60(M)LF 70(70mm) : QTG70(M)LF 	<p>QTG50MLF QTG50LF QTG60MLF QTG60LF QTG70MLF QTG70LF</p>
		<p>AC Steady/Flashing</p>	

- DC steady type cable specification: External power/ signal line - UL1007 AWG22(0.3sq) 400mm
- AC steady, AC/DC steady/flashing type cable specification : External power line - UL1015 AWG18(0.75sq) × 2C 400mm, External signal line - UL1007 AWG22(0.3sq) 400mm

Parts Definition



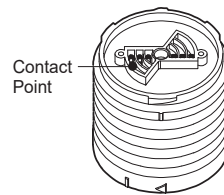
How to Change Lens Kit



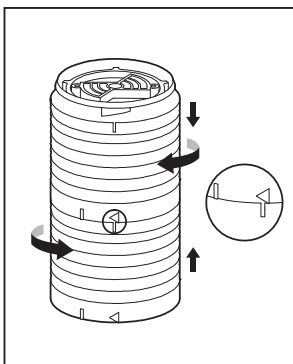
• Disassembling lens kits

- ① Twist the upper lens kit in a counter-wise direction so the "I" mark from both kits align.
- ② Disassemble by removing the upper lens kit from the lower one.

※Cautions



Lens modules are connected through cone-shaped contact point. In case the contact point is damaged, it may cause a contact failure.



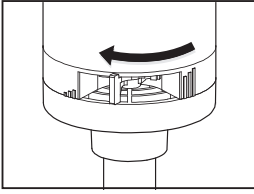
• Assembling lens kits

- ① Put the two lens kits together by aligning the upper lens' "I" mark and the lower lens' "I" mark together.
- ② Lock the two kits by twisting the upper lens kit in a counter-wise direction so the upper lens' "I" mark aligns with the lower lens' "I" mark.

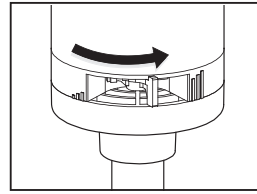
Installation Environment and Protection Rating

- This product is designed for indoor use with protection rating of IP65(standard type) and IP54(buzzer type).
- If the product is installed in locations that subject it to excessive dust or water other than the designated IP protection rating indicated(IP65), it may cause malfunction or damage to the product.
- For further information, please visit our website(www.qlight.com).

Buzzer Sound Volume Adjustment Instructions



Buzzer volume is reduced by sliding the volume control lever to the left as show in the diagram to the left.
(Min. $65\pm 4\text{dB/m}$)

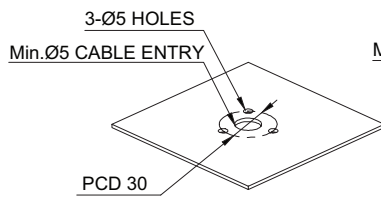


Raise/ Increase the buzzer volume by sliding the control lever to the right as shown in the diagram to the left.
(Max. $85\pm 4\text{dB/m}$)

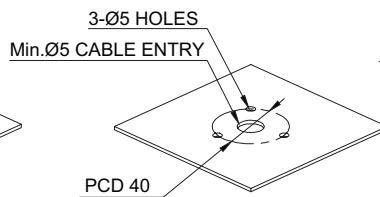
Mounting Hole Specifications

■ QTG50M/ QTG60M/ QTG70M -Direct Mounting Type Model

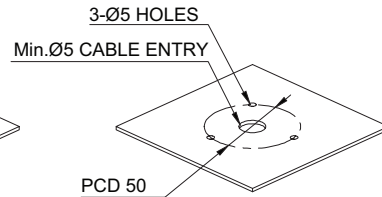
① Machine holes on the mounting surface referring to the diagram below.



QTG50M



QTG60M



QTG70M

② Remove the flange nuts from bolts and place the product through the mounting surface holes.

③ Fasten the flange nuts on the opposite side of the mounting surface until the product is tightened securely.

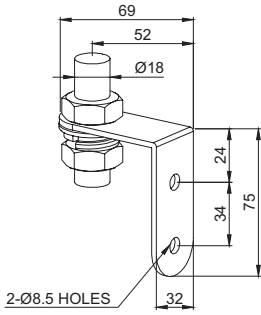
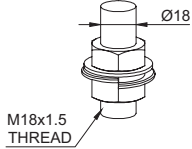
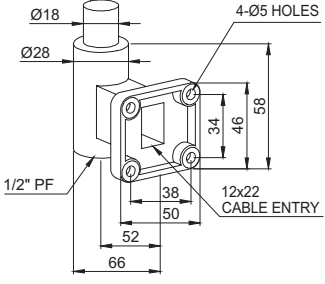
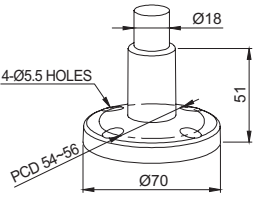
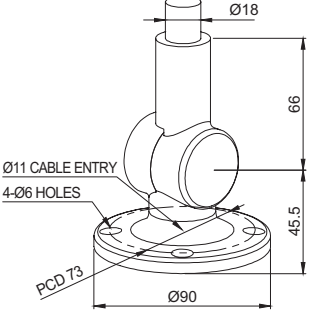
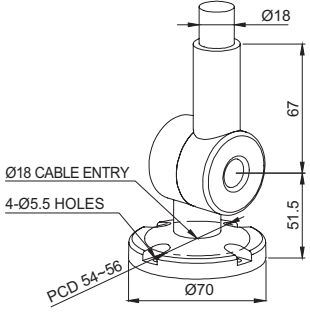
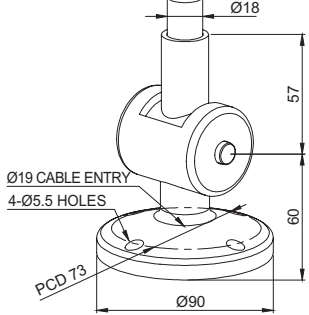
Mounting Accessories (Sold Separately)

• Please refer to the dimensions below for installation of mounting brackets.

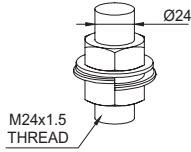
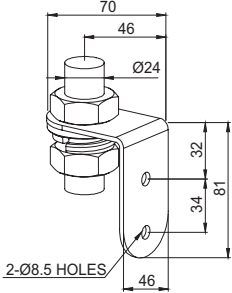
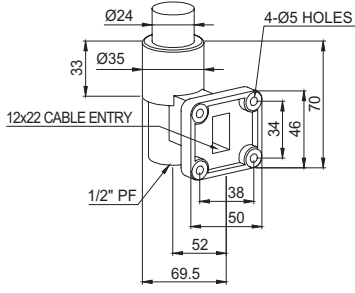
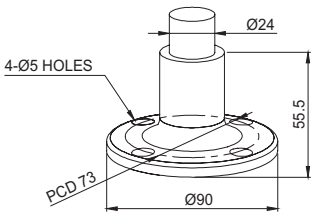
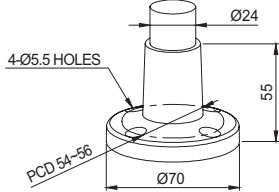
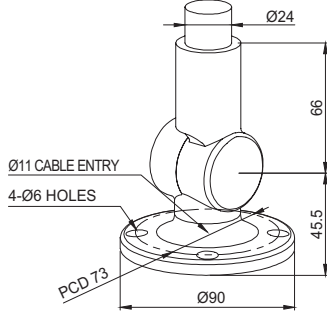
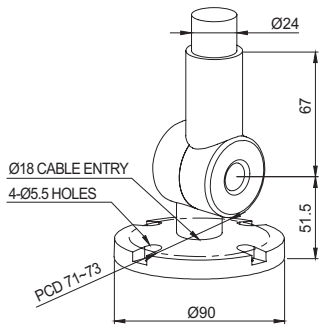
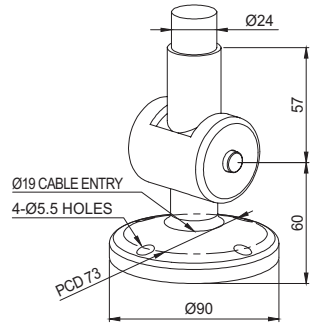
■ QTG50ML/ QTG60ML/ QTG70ML - Direct Mounting Type Model

	Dimensions	
QTG50 series QTG60 series	<p>TWS45</p>	<p>TWA45</p>
QTG70 series	<p>TWS80</p>	<p>TWA80</p>

■ QTG50L/ QTG60L - Pole Mounting Type Model

Dimensions	
<p>QTG50 series QTG60 series</p>	 <p style="text-align: center;">LB18</p>
<p>M18x1.5 THREAD</p>  <p style="text-align: center;">18mm SCREW & NUT</p>	 <p style="text-align: center;">LW18</p>
 <p style="text-align: center;">QZ18</p>	 <p style="text-align: center;">SL18</p>
 <p style="text-align: center;">QL18</p>	 <p style="text-align: center;">QLA18</p>

■ QTG70L - Pole Mounting Type Model

Dimensions	
<p>QTG70 series</p>  <p style="text-align: center;">24mm SCREW & NUT</p>	 <p style="text-align: center;">LB24</p>
 <p style="text-align: center;">LW24</p>	 <p style="text-align: center;">SZ24</p>
 <p style="text-align: center;">QZ24</p>	 <p style="text-align: center;">SL24</p>
 <p style="text-align: center;">QL24</p>	 <p style="text-align: center;">QLA24</p>

Technical Certification

- Qlight products are designed to meet strict quality and technical standards. Thus, the Qlight brand is widely recognized for its high quality and technical innovations from leading institutions around the world.



ISO International Organization for Standardization

Qlight quality assurance systems have been certified by ISO by applying the ISO 9001:2008, KS Q ISO 9001:2009 regulation.



IECEX International Explosion Proof Certification (IECEX)

Certified that Qlight's products are being manufactured and manage according to international standards.



ATEX The European Regulatory Framework or Manufacture, Installation and Use of Equipment in Explosive Atmospheres

Qlight's explosion proof products comply with ATEX Directives 94/9/EC.



NEPSI National Supervision and Inspection Center for Explosion Protection and Safety of Instrumentation

Qlight's design and manufacturing system meets the People's Republic of China National explosion proof Standard. (Chinese Standard-GB3836/GB12476)



KCs Explosion Proof Device Safety Certification System

The safety performance of machines and equipment subject to safety certification and Technical capability and production system have been certified safety certification standards.



TIIS Japan Explosion-proof Certification

TIIS is a Japanes explosion proof test and certification system accordance with the Ministry of Health, Labour and Welfare Notice and the explosion proof guidelines for factory electrical equipment. Qlight's explosion proof products hasve been tested and certified by TIIS.



CCS China Classification Society

Qlight's design and quality assurance system has been certified by the China Classification Society.



RMRS Russian Maritime Register of Shipping

Qlight's design and quality assurance system has been certified from Russian Maritime Register of Shipping.



LR Lloyd's Register

Qlight's design and quality assurance system has been certified from Lloyd's Register.



KR Korean Register of Shipping

Qlight's design and quality assurance system has been certified by the Korean Register of Shipping.



KC Korea Safety Certification

Qlight's products are certified by KC for preventing accident caused by fire.



E-mark Commission Directive Regarding Vehicle Industry

Qlight has obtained EU mark for approved vehicles and vehicle components sold into the EU(EEA : European Economic Area)



ICAO International Civil Aviation Organization

Qlight guarantees our products satisfy the criteria regulated by the International Civil Aviation Organization(ICAO, FAA).



KCC Conformity Assessment of Broadcasting Communication Equipment

Qlight has been certified to protect the electromagnetic environment that causes unwanted electromagnetic waves from the device, communication failure due to other devices or external radio waves, and malfunction of the device.



UL Underwriters Laboratories

Qlight's design and quality assurance system has been certified from UL to ensure the stability of consumption goods and to protect consumers.



CCCF China Certification Center for Security & Protection

Qlight has passed the rigorous examination process of "Passing Fire Protection Products Centering" In order to sell fire-fighting products such as fire alarm equipment to Chinese market.



CCC China Compulsory Certificate

Qlight's has obtained CCC which guarantees safety, protection against fraud, environment, etc.



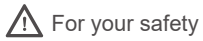
CE European Commission

Qlight has been certified by the European Commission.



RoHS2 Restriction of Hazardous Substances Directive

Qlight c omplies with the Restriction of Hazardous Substances Directive by limiting its use of hazardous materials.



For your safety

Specification and dimensions listed in this catalogue subject to change without notice for product quality improvement.
The newest product information is available on our website.(www.qlight.com)
Please read the instruction manual attached to the product carefully before installation and use.

Qlight Co., Ltd. www.qlight.com | trade@qlight.com

Head Office | Suite #1510, STX-V Tower, 128 Gasan digital 1-ro, Geumcheon-gu, Seoul, Korea

Tel. +82-2-2679-6152(Toll free. +82-80-328-2222) Fax. +82-2-2679-6154

Factory | 185-25, Mukbang-ro, Sangdong-myeon, Gimhae-si, Gyeongsangnamdo, Korea Tel. +82-55-328-1111(Toll free. +82-80-328-1111)

Qlight OverSEAs Sales Dept | 704 Nakdong-daero, Sasang-gu, Busan, Korea(Eomgung-Dong) Tel : +82-51-620-4100

Qlight Public Relations & Marketing Team Office | 704 Nakdong-daero, Sasang-gu, Busan, Korea(Eomgung-Dong) Tel. +82-51-245-0017

Qlight USA, Inc. www.qlight.com www.qlightusa.com | sales@qlightusa.com

3003 North First Street, Suite #341, San Jose, CA 95134 USA Tel. +1-408-519-5740 Fax. +1-408-519-5739

SHANGHAI Qlight Electronic Co., Ltd. www.qlight.com www.qlightcn.com | qlightcn@qlight.com

China Factory/ Shanghai Sales Office | #19, Nanda Road, Baoshan Area, Shanghai, China Tel. +86-21-6651-7100 Fax. +86-21-6315-3929

China Factory Site 2 (Qidong) | #33, Haiyan Road, Qidong High-tech Industrial Development Zone, Qidong, Jiangsu Province, China

Tel +86-513-8384-9999 Fax +86-513-8384-9910

Qlightec

Innovation in Alarm & Signal

Product Operation Inquiry / Customer Support +82-51-620-4100

You can expect prompt service if you have exact information such as model name, symptom, telephone number and address.

※ ALL PRODUCT, PRODUCT SPECIFICATIONS AND DATA ARE SUBJECT TO CHANGE WITHOUT NOTICE TO IMPROVE RELIABILITY, FUNCTION OR DESIGN OR OTHERWISE.

Head office : Suite #1510, STX-V Tower, 128 Gasan digital 1-ro, Geumcheon-gu, Seoul, Korea (Postal Code : 08507)

Factory : 185-25, Mukbang-Ro, Sangdong-Myeon, Gimhae-Si, Gyeongsangnam-Do, Korea (Postal Code : 50805)

www.qlight.com

EN - QTG50ML - 2106A