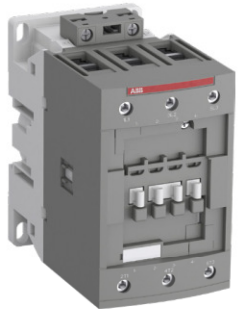


# AF40 ... AF96 3-pole contactors

18.5 to 45 kW  
AC / DC operated



AF40-30-00



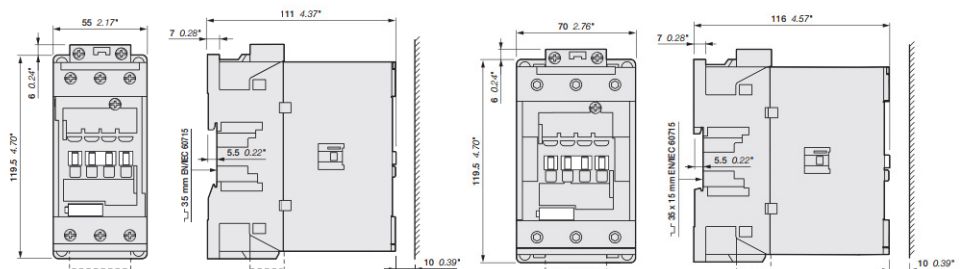
AF80-30-00

AF40 ... AF96 contactors are mainly used for controlling 3-phase motors and power circuits up to 1000 V AC and 220 V DC. These contactors are of the block type design with 3 main poles.

- control circuit: AC or DC operated with electronic coil interface accepting a wide control voltage range (e.g. 100...250 V AC and DC), only 4 control voltage ranges covering 24...500 V 50/60 Hz and 20...500 V DC
  - can manage large control voltage variations
  - reduced panel energy consumption
  - very distinct closing and opening
  - can withstand short voltage dips and voltage sags (SEMI F47-0706 conditions of use on request).
- built-in surge suppression
- add-on auxiliary contact blocks for front or side mounting and a wide range of accessories.

IEC	UL / CSA			Rated control circuit voltage Uc min. ... Uc max.		Auxiliary contacts fitted	Type (1)	Order code	Weight Pkg (1 pce) kg
	Rated operational power 400 V AC-3 kW	current $\theta \leq 40^\circ\text{C}$ AC-1 A	3-phase motor rating 480 V hp	General use rating 600 V AC A	V 50/60 Hz				
18.5	70	30	60	24...60	20...60 (1)	0 0	AF40-30-00-11	1SBL347001R1100	0.970
				48...130	48...130	0 0	AF40-30-00-12	1SBL347001R1200	0.970
				100...250	100...250	0 0	AF40-30-00-13	1SBL347001R1300	0.950
				250...500	250...500	0 0	AF40-30-00-14	1SBL347001R1400	0.950
22	100	40	80	24...60	20...60 (1)	0 0	AF52-30-00-11	1SBL367001R1100	0.970
				48...130	48...130	0 0	AF52-30-00-12	1SBL367001R1200	0.970
				100...250	100...250	0 0	AF52-30-00-13	1SBL367001R1300	0.950
				250...500	250...500	0 0	AF52-30-00-14	1SBL367001R1400	0.950
30	105	50	90	24...60	20...60 (1)	0 0	AF65-30-00-11	1SBL387001R1100	0.970
				48...130	48...130	0 0	AF65-30-00-12	1SBL387001R1200	0.970
				100...250	100...250	0 0	AF65-30-00-13	1SBL387001R1300	0.950
				250...500	250...500	0 0	AF65-30-00-14	1SBL387001R1400	0.950
37	125	60	105	24...60	20...60 (1)	0 0	AF80-30-00-11	1SBL397001R1100	1.220
				48...130	48...130	0 0	AF80-30-00-12	1SBL397001R1200	1.220
				100...250	100...250	0 0	AF80-30-00-13	1SBL397001R1300	1.170
				250...500	250...500	0 0	AF80-30-00-14	1SBL397001R1400	1.170
45/55	130	60/75	115	24...60	20...60 (1)	0 0	AF96-30-00-11	1SBL407001R1100	1.220
				48...130	48...130	0 0	AF96-30-00-12	1SBL407001R1200	1.220
				100...250	100...250	0 0	AF96-30-00-13	1SBL407001R1300	1.170
				250...500	250...500	0 0	AF96-30-00-14	1SBL407001R1400	1.170

(1) For control by PLC-output, use RA4 interface relay.



AF40, AF52, AF65

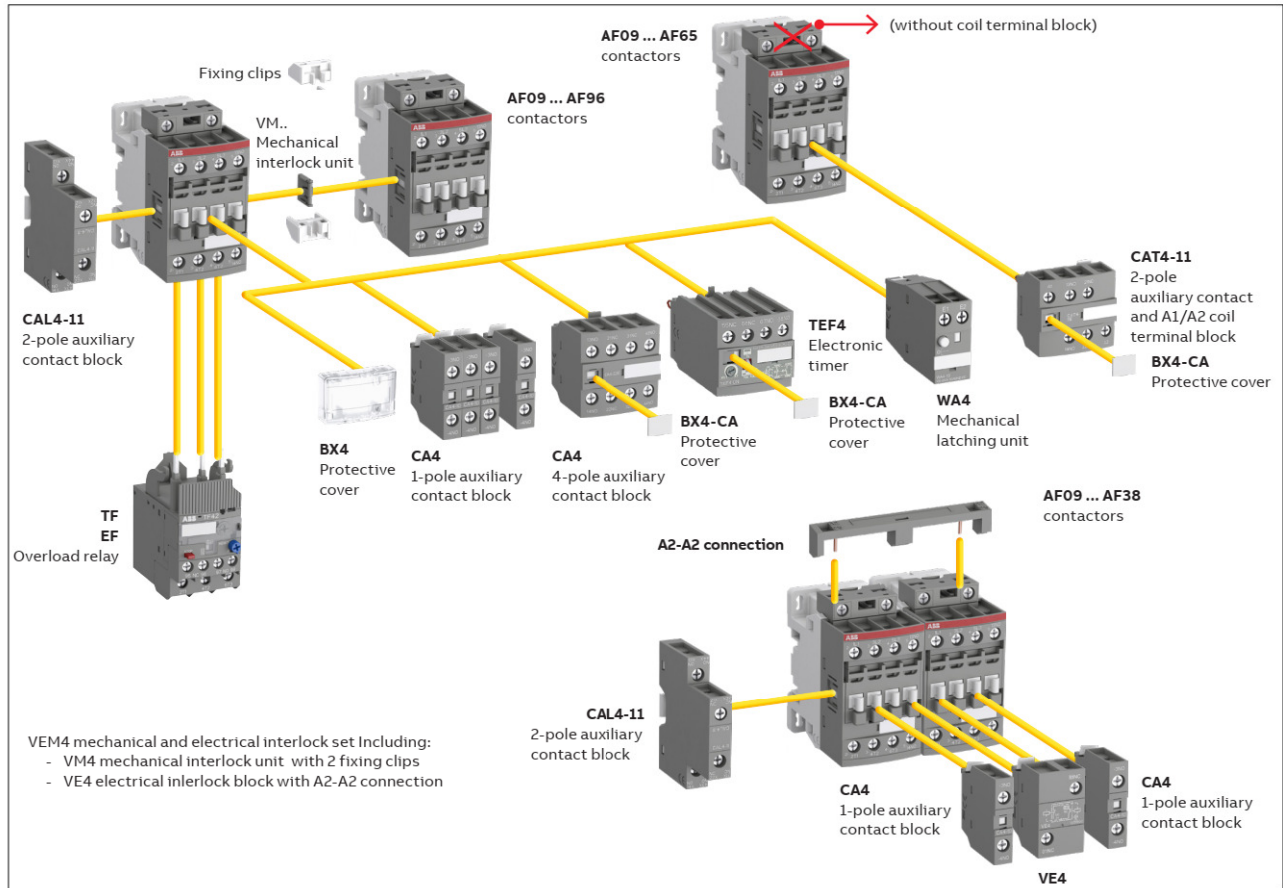
AF80, AF96

Main dimensions mm, inches

# AF09 ... AF96 3-pole contactors

## Contactors and main accessories

03



**Main accessory fitting details** - for ordering details, technical data and other accessories: see section accessories  
 Many configurations of accessories are possible depending on whether these are front-mounted or side-mounted.

Contactor types	Main poles	Built-in auxiliary contacts	Front-mounted accessories			Electronic timer	Mechanical latching unit	Electrical and mechanical interlock set (between 2 contactors)	Side-mounted accessories	
			Auxiliary contact blocks						Auxiliary contact blocks	
			1-pole CA4	2-pole CAT4-11	4-pole CA4	TEF4	WA4 (2)	VEM4	2-pole CAL4-11	
									Left side	Right side
<b>AF09(Z) ... AF38(Z) (1)</b>										
AF09 ... AF16	3	0	0	1	4 max. or 1	or 1	or 1	-	+ 1	-
AF09 ... AF16	3	0	1	0	2 max. or 1	-	or 1	-	+ 1	+ 1
AF26 ... AF38	3	0	0	0	3 max.	-	-	+ 1 (3)	+ 1	or 1
<b>AF09Z ... AF38Z 24 V DC designed for PLC - coil 30 (1)</b>										
AF09Z ... AF16Z	3	0	0	1	4 max.	-	or 1	-(3)	or 1	+ 1
AF09Z ... AF16Z	3	0	1	0	2 max.	-	-	-(3)	+ 1	or 1
AF26Z ... AF38Z	3	0	0	0	-	-	1	-	+ 1	+ 1
<b>AF40 ... AF96</b>										
AF40 ... AF65	3	0	0	0	4 max. or 1	or 1	or 1	-	+ 1	+ 1
AF80, AF96	3	0	0	0	4 max. or 1	or 1	or 1	-	+ 1	+ 1

(1) Including add-on and built-in contacts : 4 N.C. auxiliary contacts max on positions 1, 2, 3, 4 and 3 N.C. auxiliary contacts max. on positions 1 ± 30°, 5.  
 (2) Use WA4 for AF09...AF65 and WA4-96 for AF80, AF96.  
 Accept 1-pole CA4 auxiliary contacts (1 block on each side of the mechanical latch) in respect to the total number of built-in or additional N.C. auxiliary contacts.  
 For WA4 accessory use with contactor coil 30, please consult your ABB local sales organization.  
 (3) VEM4 not suitable for AF...Z contactors with DC control voltages 12...20 V DC (coil 20) and 24 V DC (coil 30). Use VM4 side-mounted mechanical interlock unit.

### Overload relays fitting details (4)

Contactor types	Thermal overload relays	Electronic overload relays
AF09 ... AF38	TF42 (0.10...38 A)	EF19 (0.10...19 A)
AF26 ... AF38	TF42 (0.10...38 A)	EF45 (9...45 A)
AF40 ... AF65	TF65 (22...67 A)	EF65 (20...70 A)
AF80, AF96	TF96 (40...96 A)	EF96 (36...100 A)

The addition of an overload relay on the contactor does not prevent fitting of many other accessories as shown above.  
 (4) Direct mounting - No kit required.