

Universal Socket/Relay Socket

Universal Socket/Relay Socket

- Excellent Flame and Insulation Resistance
- Timing Relay Dedicated Bracket (applied with Hanyoung T21 timers)
- MY, LY Relay Socket
- CE Certified
- Easy DIN rail Installation.
- Application available with Hanyoung Analog Timer, Temperature Controller, Electrode Level Switch etc. (8-Pin socket)



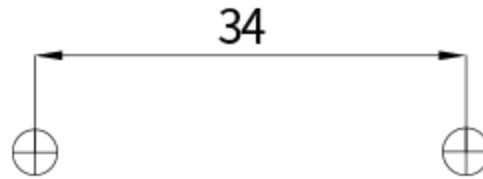
Specification

+ 11-PIN Universal Socket

- HS-G-E11

Material	1. Plastic ① Socket : PC (black) ② Ring : POM 2. Metal ① Nut : carbon steel Q195 ② Bolt : carbon steel 08A 3. Connecting piece : brass H62
Flame Resistance	Combustion temperature : 650 °C, Combustion Duration tR ≤ 30s
Bolt	Torque ≥ 0.6 N.m
Salt Spray Test	Steel : 24 hours, Copper : 24 hours, No rust
Electroplating	Connecting piece : CnSn, Bolt : zinc
Insulation Resistance	AC ≥ 2000 V, Leakage current ≤ 1 mA
Clamping Force	1pin clamping force : 2N - 15N
Applied products	KX4S / MA4N-A / MA4N-B

- Installation Hole Dimension

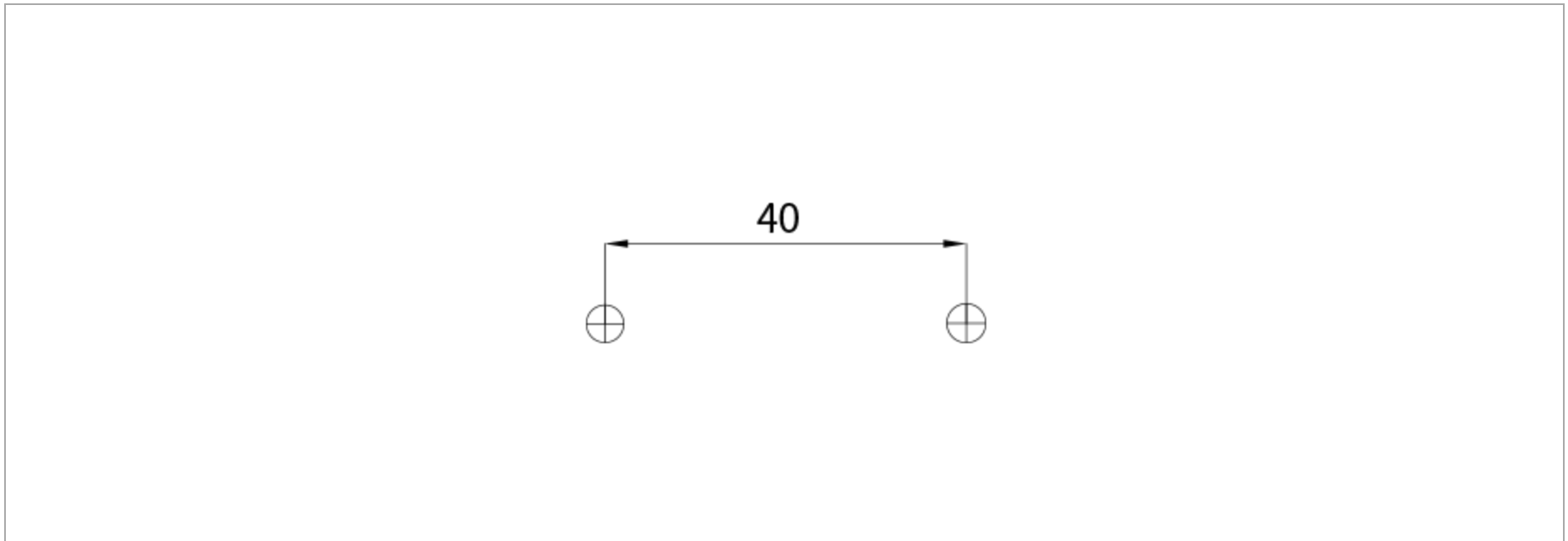


+ 8-PIN Universal Socket

- HS-G-E08

Material	<p>1. Plastic ① Socket : PC (black) ② Ring : POM</p> <p>2. Metal ① Nut : carbon steel Q195 ② Bolt : carbon steel C-1022A</p> <p>3. Connecting piece : brass H62</p>
Flame Resistance	Flammability Rate V2
Bolt	Torque ≥ 0.8 N.m
Salt Spray Test	Steel : 24 hours, Copper : 24 hours, No rust
Electroplating	Connecting piece : CnSn, Bolt : zinc
Insulation Resistance	AC ≥ 2000 V, Leakage current ≤ 1 mA
DIN rail Torque Breakage	Breakage value ≥ 20 kg
Clamping Force	<p>Total Clamp Force : 40 N - 90 N</p> <p>1pin Pluck Power : 1 N - 3.5 N.m</p> <p>1pin Clamp Force : 2 N - 8 N.m</p>
Applied products	ND4 / DF4 / LT4 / LT4S / T38A / T48A / TF62A / MA4N-C / FS-3A / MA4SD / GF4A-P41S / GF4A-T40S / TF4A

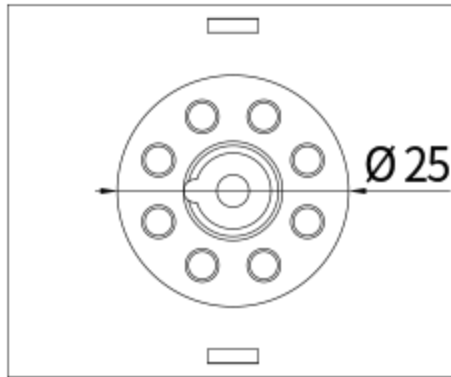
- Installation Hole Dimension



- HS-G-F08

Material	<ul style="list-style-type: none"> 1. Plastic ① Socket : PC (black) 2. Metal ① Nut : carbon steel Q195 ② Bolt : carbon steel C-1022A 3. Connecting piece : brass H62
Flame Resistance	Flammability Rate V2
Bolt	Torque ≥ 0.8 N.m
Salt Spray Test	Steel : 24 hours, Copper : 24 hours, No rust
Electroplating	Connecting piece : CnSn, Bolt : zinc
Insulation Resistance	AC ≥ 2000 V, Leakage current ≤ 1 mA
Clamping Force	<ul style="list-style-type: none"> Total Clamp Force : 40 N - 90 N 1pin Pluck Power : 1 N - 3.5 N.m 1pin Clamp Force : 2 N - 8 N.m
Applied products	KX4

- Pin Joint Dimension



+ LY Type 4 Pole Relay Socket

- HS-R-L04

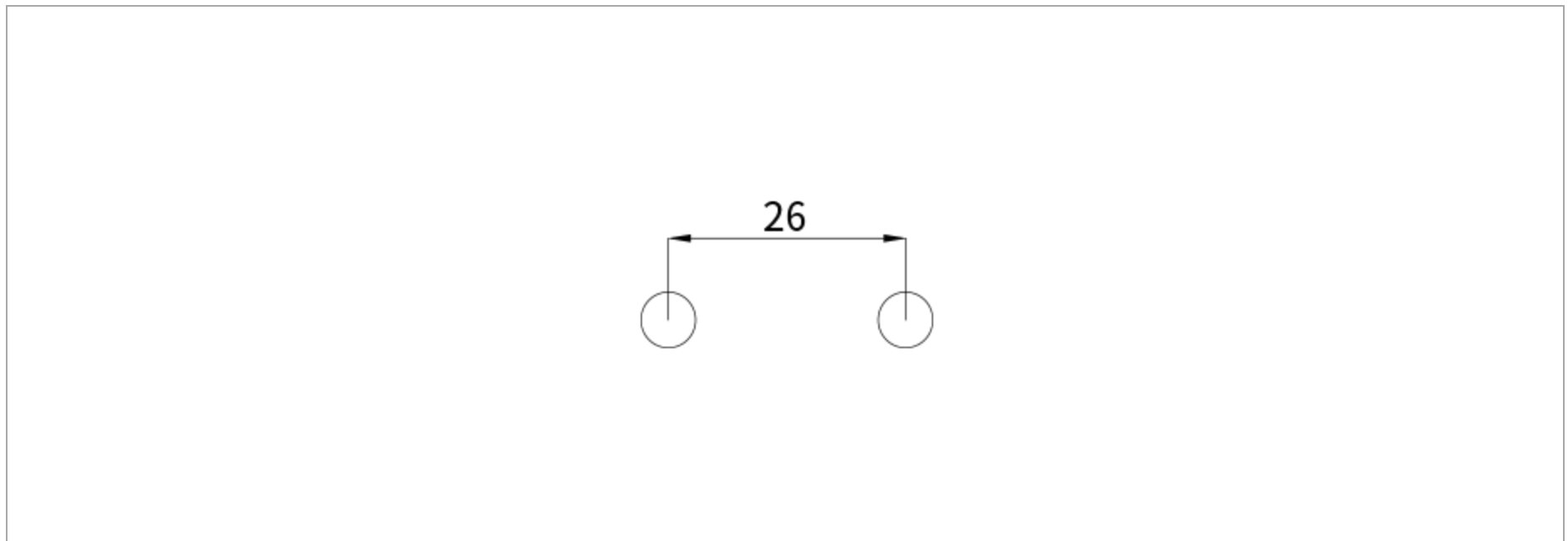
Material	<ul style="list-style-type: none"> 1. Plastic ① Socket : PA (black) ② Stopper : POM 2. Metal ① Nut, Bolt : carbon steel Q195 3. Connecting piece : brass H62
Bolt	Torque ≥ 0.6 N.m
Salt Spray Test	Steel : 24 hours, Copper : 24 hours, No rust
Electroplating	Connecting piece : CnSn, Bolt : zinc
Insulation Resistance	AC ≥ 2000 V, Leakage current ≤ 1 mA
Clamping Force	1pin clamping force : 1 - 20 N

+ LY Type 2 Pole Relay Socket

- HS-R-L02

Material	1. Plastic ① Socket : PA (black) ② Stopper : POM 2. Metal ① Nut : carbon steel Q195 ② Bolt : carbon steel 08A 3. Connecting piece : brass H62
Flame Resistance	Flammability Rate V2
Bolt	Torque ≥ 0.6 N.m
Salt Spray Test	Steel : 24 hours, Copper : 24 hours, No rust
Electroplating	Connecting piece : CnSn, Bolt : zinc
Insulation Resistance	AC ≥ 2000 V, Leakage current ≤ 1 mA
Clamping Force	1pin clamping force : 1 - 20 N

- Installation Hole Dimension



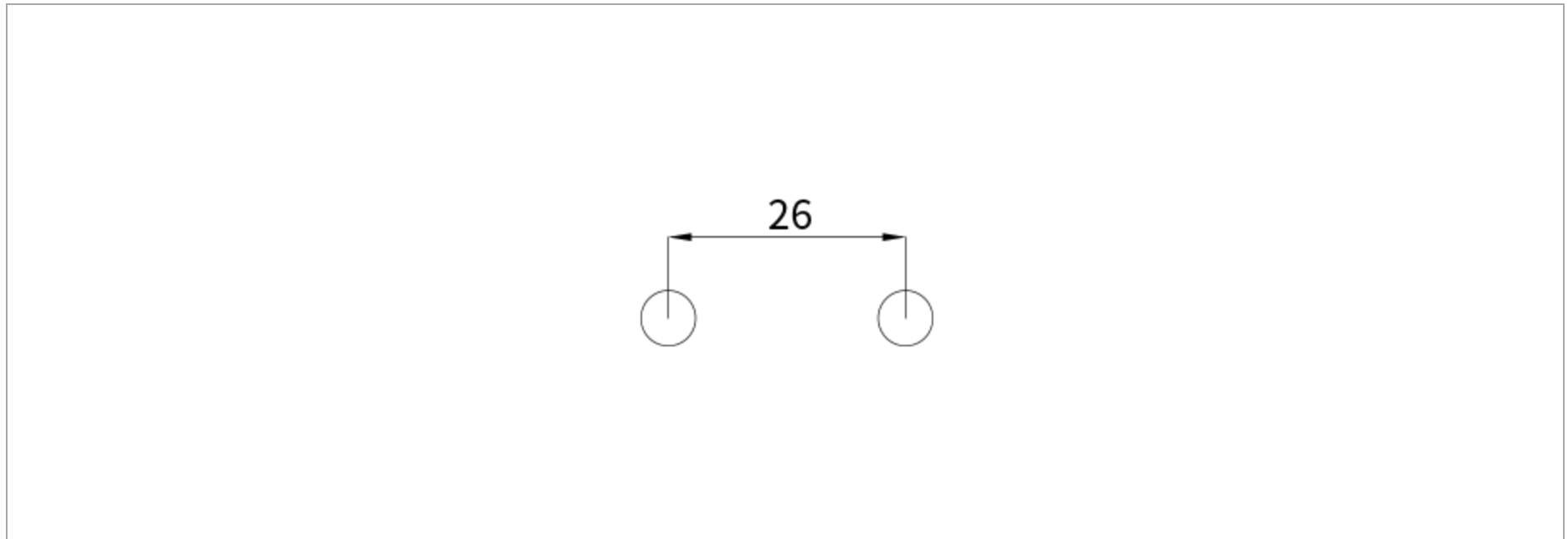
+ MY Type 4 Pole Relay Socket

- HS-R-M04

Material	1. Plastic
-----------------	------------

	① Socket : PA (black) ② Stopper : POM 2. Metal ① Nut : carbon steel Q195 ② Bolt : carbon steel 08A 3. Connecting piece : brass H62
Flame Resistance	Flammability Rate V2
Bolt	Torque ≥ 0.6 N.m
Salt Spray Test	Steel : 24 hours, Copper : 24 hours, No rust
Electroplating	Connecting piece : CnSn, Bolt : zinc
Insulation Resistance	AC ≥ 2000 V, Leakage current ≤ 1 mA
Clamping Force	1pin clamping force : 1 - 20 N

- Installation Hole Dimension



+ MY Type 2 Pole Relay Socket

- HS-R-M02

Material	1. Plastic ① Socket : PA (black) ② Stopper : POM
----------	---

	2. Metal ① Nut : carbon steel Q195 ② Bolt : carbon steel 08A 3. Connecting piece : brass H62
Flame Resistance	Flammability Rate V2
Bolt	Torque ≥ 0.6 N.m
Salt Spray Test	Steel : 24 hours, Copper : 24 hours, No rust
Electroplating	Connecting piece : CnSn, Bolt : zinc
Insulation Resistance	AC ≥ 2000 V, Leakage current ≤ 1 mA
Clamping Force	1pin clamping force : 1 - 20 N

- Installation Hole Dimension

